



# Installation and operating instructions

ebios-fire - architecture SL





## FOREWORD / QUALITY PHILOSOPHY

You have decided in favour of a SPARTHERM ebios-fire - thank you for your confidence in our company.

In a world of excess and mass production, our company stands for the values expressed by our owner Gerhard Manfred Rokossa:

„High technical quality combined with contemporary design and a customer service which ensures not only utmost satisfaction but also that we are recommended.“

Together with our specialist partners, we offer first-class products which will touch your emotions and evoke a sense of security and comfort. To achieve this, we recommend that you read the operating instructions carefully in order to get a quick and comprehensive overview of your decorative fireplace.

In addition to information on use, these instructions also include important details on care and operation to guarantee your safety and the maintenance of your ebios-fire as well as useful tips and guidance.

For further enquiries, please contact your specialist dealer.

We hope you enjoy your new fireplace.

Your SPARTHERM Team

G.M. Rokossa

# CONTENTS

1. General Information	4	5. Maintenance/troubleshooting	15
1.1 Scope of Supply	4	5.1 Furniture and glass (depending on the model) becomes sooted heavily, rapidly and unevenly	15
2. Installation Instructions	6	5.2 Fire is difficult to ignite	15
2.1 Technical data	6	5.3 Unpleasant odours	15
2.2 Dimensions of the architecture SL	6	5.4 Appearance of flames changes	15
2.3 2.3 CERAMAT FN burner mat	6	5.5 Spilt ethanol ignites	16
2.4 Basic requirements for installation	6	6. General warranty conditions	16
2.5 Installation location	7	6.1 Area of application	16
2.6 Installation / assembly	8	6.2 General information	16
2.6.1 Positioning of the burner	8	6.3 Warranty period	16
2.7 Fire precautions	9	6.4 Requirements for this warranty to be effective	16
2.8 Combustion air supply	9	6.5 Exclusion of warranty	16
3. Operating instructions	9	6.6 Elimination of defects / repair	17
3.1 General information on operation	9	6.7 Extension of the warranty period	17
3.2 Fire protection	10	6.8 Spare parts	17
3.3 Fuel	10	6.9 Liability	17
3.4 Start-up	11	6.10 Final comments	17
3.5 Refilling the burner	13	7. Declaration from the builder of a custom-made piece of furniture/fireplace with the architecture SL	18
3.6 Taking out of operation safely	14		
4. Cleaning and care	15		
4.1 Cleaning cladding parts	15		

## IMPORTANT INFORMATION

As per the German Equipment and Product Safety Act (GPSG) and our statutory duty to notify, we would like to inform you about heating with this product.

The combustion heat of the Bio ebios-fire at 0.5 l/h is approx. 3,300 W. The heating value of 96% ethanol is approx. 29,600 kJ/kg. With fuel consumption of 0.5 l/h (approx. 0.4 kg/h) the heat released is approx. 3,300 W.

However, the decorative fireplace requires a plentiful supply of fresh air when operated as otherwise the amount of carbon dioxide created exceeds the permitted concentration in the room air.

As a rule, the fresh air supplied is cooler than the room air to be heated up which results in a loss of energy. The effective heat output of a Bio ebios-fire is thus minimal and, as such, decorative fireplaces which use biofuel are not sources of heat.

Rather these are merely decorative and are not intended for heating or continuous operation. Nevertheless, it should be taken into account that heat is generated as a by-product of the combustion process. This can cause increased heating in the room where the fireplace is installed. Read the safety instructions and measures for rear ventilation carefully.

**Observe these operating instructions.**

## 1. GENERAL INFORMATION

Small children, elderly or infirm persons: As is the case with all open flames, it is expedient that you attach a protective fixture for these groups of persons **Risk of burns!** Never leave these groups of persons unattended near an ebios-fire when a fire is burning or has just been extinguished! The ebios-fire must not be operated without supervision!

State-specific and local directives and regulations, in particular the fire safety regulations of the German Federal State or the Association of Swiss Canton Fire Insurance companies (VKF) must be complied with for the set-up and operation of your ebios-fire.

Ensure sufficient stability when setting up the fireplace and choose a location where movement of the burner during operation as a result of impacts etc. is ruled out.

This model may only be operated when the housing cover is closed.

Please note that the fuel must not be refilled when the device is either warm or alight. The device may **ONLY** be refilled via the filling opening and **NOT** via the burner channel! (see Fig. 1) We recommend extinguishing the ebios-fire by burning the fuel until the tank is empty. The cover plates must be placed on the burner when it is not in operation.

Only allow the device to be refilled by individuals who are familiar with the safety instructions and who you been trained on its operation.

**The ebios-fire is not a heater but a decorative fire.**

Slight imperfections and unevenness in the concrete surface are typical of this material and are not a reason for complaint!

Bioethanol is a dangerous substance and must only be stored in the prescribed quantities as per the regulations:

Storage in a cellar: max. 20 litres

Storage in living space: max. 5 litres

## 1.1 SCOPE OF SUPPLY

ebios-fire with the following features:

- Concrete furniture
- 1 burner made of stainless steel
- 1 burner mat made of Ceramat FN
- Safety container for all burner types made of stainless steel
- Cover plate (with recess for grip stick) made of stainless steel
- Bottle for moistening the burner mat
- Tank lock with seal
- Fill level indicator
- Key for opening and closing the tank seal
- Grip stick for lifting off and positioning the cover plate
- Funnel for filling the burner
- Stick lighter
- Rating plate (on the top of the burner)
- 3l ethanol canister with outlet valve for initial operation
- Supplied pre-assembled in transport-friendly disposable cardboard packaging

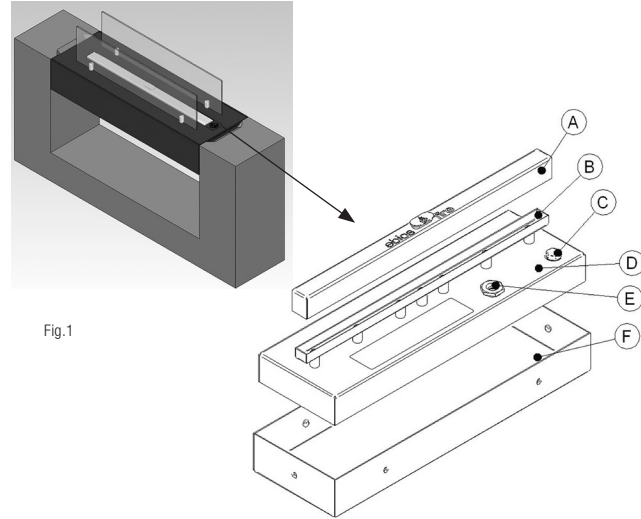


Fig.1

A	Cover plate
B	Burner channel
C	Filling opening
D	Tank
E	Fill level indicator
F	Safety container

## 2. INSTALLATION INSTRUCTIONS

The device must not be able to tilt and must be positioned horizontally.

### 2.1 TECHNICAL DATA

	ebios-fire		
Fuel type	Bioethanol (ethanol content 96%)		
Fill quantity	max. 2,6 l		
Fuel consumption	0,5 l/h		
Burning time	ca. 5 h*		
Temperature in the tank	< 65 °C		
Total weight	approx. 45 kg		
Minimum room volume per burner **	84 m <sup>3</sup>	167 m <sup>3</sup>	418 m <sup>3</sup>
Air exchange with an air exchange rate **	1	0,5	0,2
Corresponding room size with room height of 2.5m **	34 m <sup>2</sup>	67m <sup>2</sup>	167 m <sup>2</sup>

As a rough rule of thumb the following air exchange figures\*\*\* can be stated:

Air exchange [1/h]	Comment
0...0,5	Windows, doors closed
0,3...1,5	Windows tilted open, no shutters
5...10	Windows half open

\* Please note that the luminosity of the flame can decrease to such an extent that the flame is no longer clearly visible. Make children and others in the home aware of this.

\*\* These figures refer exclusively to the combustion air requirements of the . Should you have additional air-consuming devices installed in the room, these must be taken into consideration separately.

\*\*\* Recknagel, Sprenger, Schrameck: Heizung + Klimatechnik

### 2.2 DIMENSIONS OF THE ARCHITECTURE SL

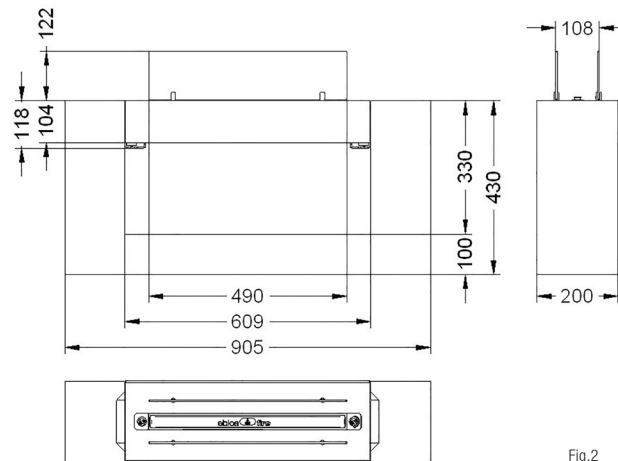


Fig.2

### 2.3 CERAMAT FN BURNER MAT

The CERAMAT FN burner mat (black) included should only be touched when wearing gloves as there is otherwise a risk of skin irritations. The material can be easily damaged. As such, the mat should not be folded, bent or similar.

### 2.4 BASIC REQUIREMENTS FOR INSTALLATION

All the relevant national and European standards as well as the local regulations (fire protection regulations etc.) must be observed and applied during installation and operation of the ebios.fire! The list of regulations given below is not exhaustive.

BetrSichV	German Ordinance on Industrial Safety and Health
Vbf	German Ordinance on Flammable Liquids
BsV	Fire Regulations of the respective Federal German State
LBO	German Federal State Construction Ordinances
GefStoffV	German Ordinance on Hazardous Substances
GPSG	German Product Safety Act

The ebios-fire may only be set up in rooms and locations where there are no hazards due to the site, structural conditions and type of use. The floor area of the installation room must be designed and dimensioned so that the ebios-fire can be operated properly and as per the intended use.

Only permitted and sufficiently strong transport aids may be used to transport the ebios-fire. The following points must be noted to ensure safe and problem-free transport.

- Transport aids (if necessary), special hand trucks must only be loaded with the rear of the ebios-fire facing down.
- There must be no fuel in the tank during transportation.

DAMAGE DURING TRANSIT should be reported immediately to the supplier. Protect the cladding and visible elements of the fireplace furniture from soiling and damage during installation and transportation.

## 2.5 INSTALLATION LOCATION

When setting up/installing the ebios-fire ensure that the device is not positioned within the direct radiation area of large heat sources (heaters, stoves etc.) or in rooms exposed to high temperatures (e.g., saunas). If the ethanol fireplace is heated up externally when not in use, this can cause fuel in the tank to be expelled over the burner channel and accumulate in the safety tray.

In such cases, the burner is to be removed and the tray emptied before the ebios-fire is lit.

The ebios-fire architecture SL is designed for use both indoors and outdoors. The following information must be noted if the fireplace is set up outdoors:

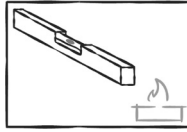
- Place the ebios-fire on a free surface and make sure that there are no flammable materials such as trees, umbrellas etc. which could be blown over and land in the proximity of the flames. A minimum distance of 30 cm to flammable materials must be guaranteed in all scenarios.
- Protect the ebios-fire from moisture and adverse weather conditions. When not in use, the burner is to be taken out of the concrete base and stored in a dry place.
- The ebios-fire can also be operated as a stand-alone unit without the concrete base. To ensure that it is safely supported, there are adjustable feet on the bottom of the burner. Ensure that the unit is the necessary distance away from nearby components!

### **Your ebios-fire must not be installed in:**

- In stairways, unless they are in residential buildings with two or fewer flats.
- In hallways with general access.
- In garages
- In rooms in which highly combustible or potentially explosive substances or mixtures are processed, stored or manufactured in quantities that would be hazardous in the event of ignition or explosion
- In insufficiently ventilated rooms.
- In areas accessible to the public which are not supervised.
- In areas which are not protected against transverse ventilation
- On tables, pieces of furniture, shelves etc.

## 2.6 INSTALLATION / ASSEMBLY

The architecture SL must be aligned horizontally and protected against tilting. Take the safety distances into account (see 2.7). Rear ventilations must not be closed. Place the burner with safety container and cover plate in the holders in the holders in the furniture.



The architecture SL may only be set up on floors with sufficient load-bearing capacity. If the load-bearing capacity is not sufficient, suitable measures (e.g., plate for load distribution) must be taken to remedy this.

The concrete base is solid and weighs > 40kg. At least 2 people are required in order to set and move the concrete base. Take care to prevent the edges and corners of the base from either being damaged or causing damage when moving it.

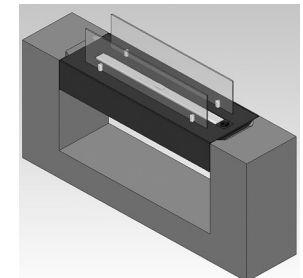
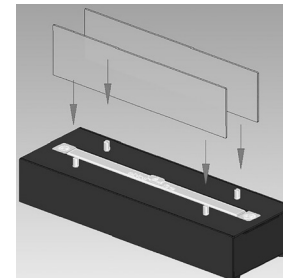
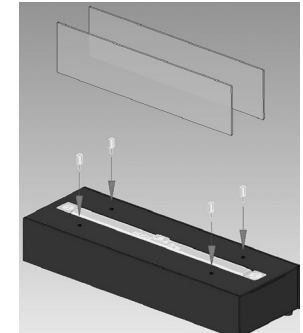
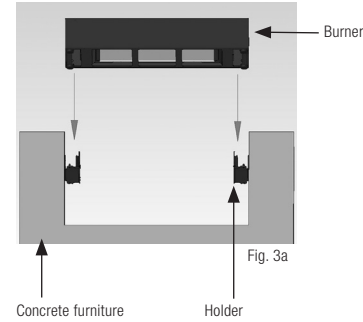
Slight imperfections and unevenness in the concrete surface and chipped edges are typical of this material and are not a reason for complaint!

### 2.6.1 POSITIONING OF THE BURNER

The burner should be placed in the furniture by two people.

Proceed as follows:

1. After unpacking the architecture SL, position the concrete base where you wish to set it up whilst observing points 2.5, 2.6 and 2.7.
2. Firstly place the burner in the holder (Fig. 3a).
3. Then insert the four glass holders. (Fig. 3b).
4. Finally insert the glass (Fig. 3c).





## 2.7 FIRE PRECAUTIONS

In order to guarantee sufficient thermal insulation, there must be a minimum distance of 300 mm (see Fig. 4) to flammable components, furniture, decorations and curtains! There must be no objects between the ebios-fire furniture and room ceiling (distance to the ceiling > 1000 mm)!

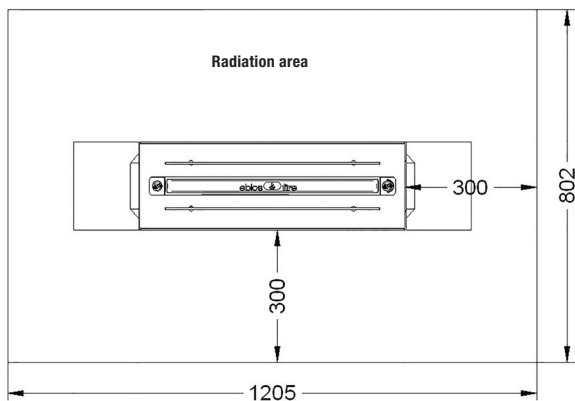


Fig. 4

## 2.8 COMBUSTION AIR SUPPLY

Your ebios-fire draws its combustion air from the room in which it is installed (dependent on indoor air). It must be ensured that there is a sufficient supply of fresh air to the room in which the fire is installed. It is possible that there is not a sufficient supply of fresh air if the windows and doors are sealed (e.g., in combination with energy saving measures). This can compromise your well-being and, under certain circumstances, also your safety and the combustion performance.

Open a window to ensure a sufficient supply of fresh air.

## 3. OPERATING INSTRUCTIONS

Read these installation and operating instructions carefully before installing and starting up your ebios-fire. All items are to be removed from the ebios-fire furniture (except the burner unit).

Please follow the regulations for fire protection and dangerous goods

### 3.1 GENERAL INFORMATION ON OPERATION

- Small children, elderly or infirm persons: As is the case with all open flames, it is expedient that you attach a protective fixture (available from specialist dealers) for these groups of persons. **Risk of burns!** Never leave these groups of persons unattended near an ebios-fire when a fire is burning or has just been extinguished! Make these individuals aware of these risks.
- No combustible objects may be placed or laid on the free surfaces of the ebios-fire. Do not place items of clothing on the ebios-fire furniture to dry. Racks for drying clothing may only be placed outside the radiation area (Fig. 4)! **Fire risk!**
- Thermal energy is released during the combustion process which causes the burner, the housing surfaces, the glass panes (depending on the model) and the protective glass panes to heat up. It is not permitted to touch these items without taking the necessary precautions (e.g., heat-resistant glove). **Risk of burns!**
- Never leave the fire unattended whilst it is alight!



- Ensure that the housing cover is closed and the protective panes are inserted.
- It is recommended to open a window during operation.
- Several decorative ethanol fireplaces may only be operated if the fuel consumption rate of all devices together does not exceed 0.5 l/h and if additional measures are taken to ensure sufficient ventilation. Please note the table on page 6 under point 2.1 for more details. Technical data.
- The burner may only be operated with the burner mat and these wicks. It is not permitted to change the number of wicks, the wick material or the burner mat.
- The ebios-fire furniture must not be modified.
- This is merely a decorative fireplace for use in the home and is not intended for heating or continuous operation! Nevertheless, it should be taken into account that heat (approx. 3 kW) is generated as a by-product of the combustion process. Amongst other things this can cause increased heating in the room where the fireplace is installed.
- There should never be any fuel in the tank and the cover must always be placed on the burner when the latter is not in use.
- The burners are designed for the fuel to be burnt until all gone. If you only wish to enjoy the flames for a short period of time, use a correspondingly smaller amount of fuel. If you wish to take the burner out of operation prematurely, place the cover on the burner with the aid of the grip stick. Allow the burner to rest for at least one hour after it has been extinguished!
- The burner must NOT be filled when warm or alight and must NOT be filled via the burner channel! **DANGER TO LIFE!**



- The handling of fuel in the vicinity of the hot or burning device is associated with significant risks and is not permitted!
- Only fill the burner via the filling opening and never via the burner channel! (see Fig. 1).
- Should you accidentally spill ethanol, clean this up immediately and before lighting the burner!
- Please note that the luminosity of the flame can decrease to such an extent that the flame is no longer clearly visible. Make children and others in the home aware of this.
- Minimum waiting time between extinguishing and refilling the burner = 1 hour!
- Do not smoke when handling fuel and operating the ebios-fire.
- Never extinguish the fire with water!!!

Failure to follow these basic rules can result in uncontrolled ignition or even explosions!

## 3.2 FIRE PROTECTION

There must be no flammable objects (decorations, clothing etc.) in the radiation area. In order to guarantee sufficient thermal insulation, there must be a minimum distance of 300 mm to flammable components at the side, furniture, decorations and curtains! There must be no objects between the fireplace and room ceiling (distance to the ceiling >1000mm)!

## 3.3 FUEL

Bioethanol (chemical formula  $C_2H_6O$ ) with an ethanol content of 96% is used as the fuel, this is available from your specialist dealer. It is a dangerous substance as per ADR: Class 3 PG II, UN 1170.

Under no circumstances should other fuels such as petrol, spirit or similar flammable liquids be used. Do not mix the fuels together or with other substances. The burners may only be operated using the prescribed fuel otherwise the warranty will be rendered void and the device may be unsafe to operate.

Ethanol is a highly flammable liquid which must be stored well sealed, protected from light and away from sources of fire. It is permitted to store max. 5 l in the living space and max. 20 l in the cellar. Keep bioethanol out of the reach of children. For your safety only fill the burner just before use to prevent it from being ignited unintentionally or by unauthorised persons and to also stop the fuel from evaporating.

Please note that ethanol is used exclusively for combustion and it not suitable for consumption. Supervise your children! If swallowed consult a doctor immediately and present the fuel label.

### 3.4 START-UP

The architecture SL is supplied with empty burners to prevent any ethanol from flowing out or evaporating during transit.

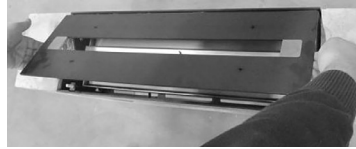
Ensure (particularly before being put into use) that there is no fuel in the safety container.



1	Operating Instructions	9	Fill level indicator
2	Concrete base	10	Filling opening
3	Burner housing	11	Cover plate
4	Cold hand	12	Stick lighter
5	Key	13	Bottle for wetting the burner
6	Tank	14	Filling aid
7	Burner mat	15	Funnel
8	Burner channel	16	Bioethanol canister

**Proceed as follows:**

1. Ensure that the air supply is sufficient.
2. Make sure that the burner has gone out and has cooled down fully (minimum waiting time after being extinguished = 1 hour).
3. The burner remains in the housing when being refilled. For this remove the protective panes and then open the housing cover.

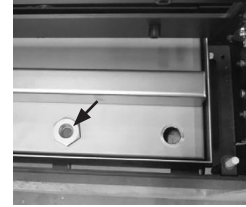


4. Check the tank content.
5. Make sure that the cover plate is placed on the burner and covers the burner mat.
6. Use a key to open the filling screw.
7. Insert the funnel into the filling opening and pour in a maximum of 2.6 l of bioethanol.



8. The fill level indicator shows the maximum permitted fill level.

The maximum fill level is reached when the bioethanol runs out of the slit (see arrow) into the reflector curve.



9. Take the bottle to wet the burner. Insert the bottle with the opening into the tank opening so that it projects into the fuel. Press the bottle together so that the air escapes and the fuel is sucked up when it is released. Wait until the bottle returns to its original shape.



10. Seal the filling plug securely using the key.



11. Close the housing cover of the fireplace furniture, ensure that the cover does not project into the flames but remains a uniform distance from the burner channel. Then insert the protective panes.



12. Insert the grip stick to grip the cover plate and lift it off.  
 13. Wet the burner mat with fuel using the bottle which has just been filled.  
 14. Put the bottle to one side.  
 15. Wait approx. 2 minutes before igniting the fire to allow the wick to be fully saturated with ethanol.  
 16. Ignite the fire on the burner mat and step back from the flames. It may take a few minutes until uniform flames appear.



Should you ever pour in too much fuel and cause the burner to overflow, the ethanol collects in the safety container. Empty this immediately and before lighting the burner. Clean the surface of the burner until it is dry and completely free of ethanol.

### 3.5 REFILLING THE BURNER

The burner must NOT be filled when warm or alight and must NOT be filled via the burner channel! **DANGER TO LIFE!**



Minimum waiting time between extinguishing and refilling the burner = 1 hour!

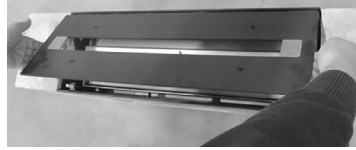
Please also leave the protective panes which may still be hot on the device during this time! **Risk of burns!**

The burners are designed for the fuel to be burnt until all gone. If you only wish to enjoy the flames for a short period of time, use a correspondingly smaller amount of fuel. If you wish to take the burner out of operation prematurely, place the cover on the burner with the aid of the grip stick.

#### Proceed as follows to refill:

1. Ensure that the air supply is sufficient.
2. Make sure that the burner has gone out and has cooled down fully (minimum waiting time after being extinguished = 1 hour).

3. The burner remains in the housing when being refilled. For this remove the protective panes and then open the housing cover.

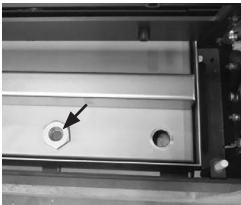


4. Check the tank content.
5. Make sure that the cover plate is placed on the burner and covers the burner mat.
6. Use a key to open the filling screw.
7. Insert the funnel into the filling opening and pour in a maximum of 2.6 l of bioethanol.



8. The fill level indicator shows the maximum permitted fill level.

The maximum fill level is reached when the bioethanol runs out of the slit (see arrow) into the reflector curve.

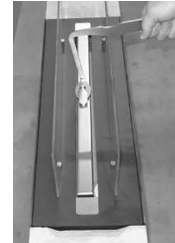


Should you ever pour in too much fuel and cause the burner to overflow, the ethanol collects in the safety container. Empty this immediately and before lighting the burner. Clean the surface of the burner until it is dry and completely free of ethanol.

To ignite the burner follow the steps 9-16 described in point 3.4.1!

### 3.6 TAKING OUT OF OPERATION SAFELY

If you wish to take the burner out of operation prematurely, place the cover on the burner with the aid of the grip stick. Insert the grip stick to grip the cover plate and then cover this over the burner channel.



## 4. CLEANING AND CARE

The architecture SL may only be cleaned when cold.

### 4.1 CLEANING CLADDING PARTS

- Wait until the device has cooled down before cleaning (at least 1 hour)!
- Decorative metal surfaces and the cladding parts can be cleaned with a moist cloth (do not use a microfibre cloth!).
- Glass surfaces can be cleaned with a standard glass cleaner and a soft cloth (do not use a microfibre cloth!).
- Stainless steel surfaces can be cleaned with a standard stainless steel cleaner.
- Only use in the direction of the finish!

Remove any dust on and below the ebios-fire furniture regularly as dust particles can burn or char. This can cause dirt in the room and on the furnishings where the fire is installed.

## 5. MAINTENANCE/TROUBLESHOOTING

The wick and burner mat must be visually inspected at regular intervals. The material can be easily damaged. As such, the burner mat should not be folded, bent or similar. It is not permitted to change the burner mat or wick.

- The burner mat must be replaced after approx. 380 service hours (corresponds to a fuel throughput of around 190 l bioethanol). Please contact your specialist dealer.
- Only use our original spare parts.
- The tank seal must be examined occasionally for cracks or brittleness and should be replaced if necessary.
- Please contact your specialist dealer should you have any questions.

### 5.1 FURNITURE AND GLASS (DEPENDING ON THE MODEL) BECOMES SOOTED HEAVILY, RAPIDLY AND UNEVENLY

If this did not occur from the very start, please check the following points:

- Has the correct fuel been used?
- Cladding/cover correctly positioned?

### 5.2 FIRE IS DIFFICULT TO IGNITE

If this did not occur from the very start, please check the following points:

- Is there fuel in the burner?
- Have you ignited the ignition mats?
- Has the correct fuel been used?

### 5.3 UNPLEASANT ODOURS

- Fuel in a burner which is not in use?
- Cover plate in position?
- Fuel was spilt when filling the device?

### 5.4 APPEARANCE OF FLAMES CHANGES

- Is the burner mat damaged?
- Has the correct fuel been used?
- Were all safety distances observed?
- Is the site of installation sufficiently ventilated?
- Is the installation site protected from transverse ventilation?

Should the appearance of the flames change, in particular if the flames should rise above the glass panes, the device should be switched off (see 3.6) and the dealer must be notified!

## 5.5 SPILT ETHANOL IGNITES

If spilt ethanol is ignited, attempt to put out the flames immediately. Use, for example, foam fire extinguishers with alcohol-resistant foam or suitable fire blankets. We recommend that such extinguishing agents be kept at the ready.

Should it not prove possible to extinguish the fire quickly, the fire service must be notified immediately and their instructions must be followed!

## 6. GENERAL WARRANTY CONDITIONS

### 6.1 AREA OF APPLICATION

These standard warranty terms apply for the contractual relationship between the manufacturer, Spartherm Feuerungstechnik GmbH, and the dealer/distributor. They are not congruent with the contractual and warranty terms which the dealer/distributor offers his customers in individual cases.

### 6.2 GENERAL INFORMATION

This product has been manufactured in compliance with current standards of quality control. The materials used have been carefully selected and - like the production process - are subject to on-going quality control.

Specialist knowledge is required when assembling and installing the product. The product must, therefore, only be installed and commissioned into service by specialist technical staff, in compliance with current statutory provisions.

### 6.3 WARRANTY PERIOD

The standard warranty terms only apply within Germany and the European Union. The warranty period and scope of the warranty are ensured within the framework of these conditions outside the statutory warranty which remains unaffected.

Spartherm Feuerungstechnik GmbH grants a 24-month warranty on ebios-fire devices (Solitaire and inserts)

Spartherm Feuerungstechnik GmbH grants a 6-month warranty on wearing parts in the fire area, e.g., wicks, burner mats, seals and glass ceramic.

### 6.4 REQUIREMENTS FOR THIS WARRANTY TO BE EFFECTIVE

The warranty period shall begin on the date, on which the product is delivered to the dealer / distributor. Invoices or delivery notes may be used as confirmation of the warranty commencement date. The warranty certificate for the product must be presented by the claimant upon making a warranty claim. Spartherm Feuerungstechnik GmbH is not obliged to satisfy any claim if such documentation is not presented.

### 6.5 EXCLUSION OF WARRANTY

This warranty does not cover:

- component wear  
Wick/burner mat due to thermal stress
- the fireplace surfaces:  
Discolouration of the finish or on the galvanic surfaces of the furniture and/or burner which are a result of thermal stresses or overloading
- the glass panes:  
contamination, due to soot or other burnt-on combustion materials and visual deterioration due to thermal loading.



- Use of unsuitable or non-designated fuel.
- We recommend bioethanol from Spartherm Feuerungstechnik GmbH with a concentration in excess of 96% for your ebios-fire device.
- incorrect transportation and/or incorrect storage:
- inappropriate or careless handling of fragile components, such as glass or ceramics
- improper operation and/or use
- incorrect filling of system
- lack of maintenance
- incorrect set-up/installation of device
- failure to comply with Installation and Operating Manual
- technical modifications made to the appliance by third parties

## 6.6 ELIMINATION OF DEFECTS / REPAIR

Independent of any statutory provisions acknowledged as taking precedence over the terms of this warranty, all necessary repair works resulting from material or manufacturing defect shall be carried out free-of-charge and shall not invalidate the remaining provisions of the warranty.

Within the scope of this warranty promise Spartherm Feuerungstechnik GmbH reserves the right to either remedy the fault or replace the device free of charge. The elimination of defects shall take precedence.

The terms of this warranty shall not extend to any damage or compensation not covered by statutory provisions.

## 6.7 EXTENSION OF THE WARRANTY PERIOD

The warranty period shall automatically be extended, where claims made in respect of these warranty provisions result in the repair or replacement of defective equipment.

## 6.8 SPARE PARTS

Only the manufacturer's own components, or replacement parts recommended and approved by the manufacturer, shall be used for appliance servicing and repair.

## 6.9 LIABILITY

Damages and claims for compensation which are not the result of delivery of a defective appliance from Spartherm Feuerungstechnik GmbH are excluded and are not part of this warranty promise.

The above shall not include claims made in respect of statutory legal requirements.

## 6.10 FINAL COMMENTS

In addition to these warranty conditions and our commitment to them, our dealers and contractual partners are pledged to assist you in both word and deed.

It is expressly recommended to have ebios-fire products checked regularly by a stove fitter/specialist dealer.

**We reserve the right to make alterations to the technical data contained herein and accept no liability in respect of any errors made.**

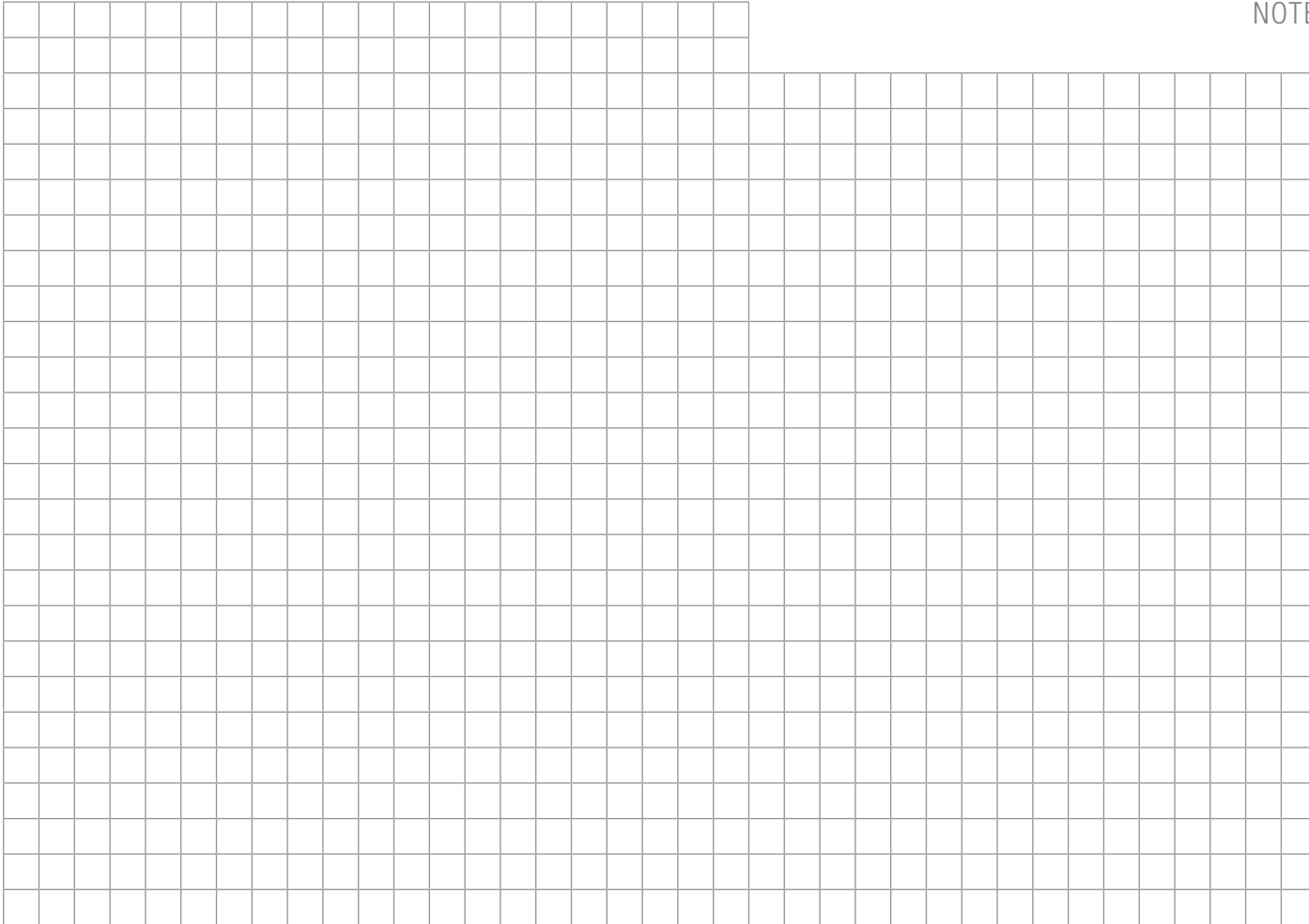
## 7. DECLARATION FROM THE BUILDER OF A CUSTOM-MADE PIECE OF FURNITURE/FIREPLACE WITH THE ARCHITECTURE SL

The furniture/stove builder must confirm to the buyer of the custom-made piece of furniture with the architecture SL that it has been properly constructed (piece of furniture/stove) and installed (burner). The builder confirms that all the points listed in these instructions have been taken into account and included in his design. Furthermore, the builder must hand over these instructions to the buyer. The builder submits his declaration to the buyer in writing.

### **IMPORTANT: Keep in a safe place!**

Store these instructions with valid and clearly dated proof of purchase and have the documents ready for our technicians in the event of service work.

NOTE



# SPARTHERM

## DIE WELTMARKE FÜR IHR WOHNZIMMER

The Global brand for your living room | La référence mondiale pour votre salon | Il marchio mondiale per il vostro soggiorno

La marca mundial para su salón | Het merk van wereldformaat voor uw woonkamer | Światowa marka do Państwa salonu

Торговая марка № 1 для Вашего дома

D Ihr Fachhändler | UK Your specialist dealer | F Votre revendeur spécialisé  
IT Il vostro rivenditore specializzato | E Sus comercios especializados  
NL Uw vakhandelaar | PL Państwa sprzedawca | РУС Ваш дилер



SPARTHERM Feuerungstechnik GmbH · Maschweg 38 · D-49324 Melle  
Phone +49 (0) 5422 94 41-0 · Fax +49 (0) 5422 9441-14 · [www.spartherm.com](http://www.spartherm.com)