



THIS IS HOW A BIOFIREPLACE WORKS

An instruction guide to our bioethanol fireplaces

Table of content

How should you use a biofireplace, what is a biofireplace and is it dangerous? Get the answers to all your questions here. This guide is aimed to explain everything there is to know concerning biofireplaces and bioethanol. Are you wondering what a bioethanol fireplace is or do you have any questions regarding the fuel, you should read the articles below.

3. **What is a biofireplace?**
4. **What is bioethanol?**
5. **How do I ignite a biofireplace?**
6. **How do I extinguish and regulate the flame?**
7. **How long can a biofireplace burn?**
8. **Which type of wall can I mount a biofireplace on?**
9. **Can you install a biofireplace into a wall?**
10. **What do I need besides the biofireplace?**
11. **Is it safe to use a biofireplace?**

[Find more articles and guides regarding biofireplaces online right here.](#)

What is a biofireplaces?

A biofireplace is a fireplace that fuels on bioethanol. Bioethanol is a liquid fuel that can be ignited so that beautiful flame arises in the same way as a traditional fireplace would have. The biofireplace itself is typically consisting of steel in different colours and designs, along with a burning chamber in different sizes.

It is the burning chamber itself, also called the burner, which constitutes the flame and the combustible while the outer frame is produced in a specific design – much like furniture.

It is, of course, essential to ensure that the materials used are non-inflammable. Wall-mounted biofireplaces is custom-designed so that they have a heat-insulated back plate that ensures the biofireplaces can be mounted on almost every type of wall. Our bioethanol fireplaces are typically delivered fully assembled so that you only have to put the burner into the frame. That is also why it is very easy to assemble a biofireplace.



Tabletop Biofireplace



Freestanding Biofireplace



Wall-mounted Biofireplace



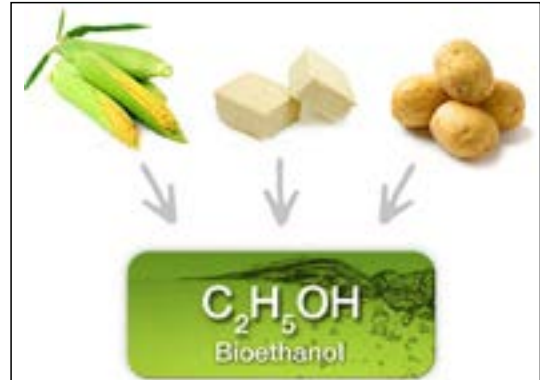
Bioethanol Burner

What is bioethanol?

Bioethanol is a fuel that can be compared to denatured alcohol or gasoline. It is a flammable material that can be ignited. Bioethanol comes in different grades of quality and cleanliness, much alike normal gasoline. We operate with a cleanliness of 96-97% which is assumed as high quality within bioethanol. We always recommend buying bioethanol of good quality as lower quality of bioethanol can disrupt the positive experience of having a biofireplace.

It is important that you only use bioethanol when you ignite your biofireplace. It is not permitted to fill other flammable liquids into the burner that is not bioethanol. A biofireplace is produced and designed to combust on bioethanol why it would be irresponsible and unwarranted to explore the combustion of other flammable liquids in the biofireplace. Furthermore will the warranty be renounced.

Bioethanol is an organic material. It is produced from sugar beets, potatoes and corn; however, it primarily consists of alcohol which is the reason it can combust. Bioethanol furthermore functions as an additive to gasoline as it is considered as an environmentally alternative to other energy sources. The cosy atmosphere with bioethanol, in comparison to traditional firewood, can therefore be considered to be environmentally correct as the extraction of CO₂ is minimized significantly. That is also why the bioethanol-car services are considered to be an alternative to the current gasoline cars. Bioethanol is so clean that it does not emit any soot or disgusting smells. It is also due to this factor that it is possible to combust bioethanol in a biofireplace indoor as well as outdoor.



Bioethanol



Bioethanol 1 Liter

How do I ignite a biofireplace?

As mentioned above, a biofireplace contains a burner and a burning chamber which is the essential part of igniting a biofireplace. It is also the burning chamber that is the decisive element for the biofireplace's burning time and capacity. When the biofireplace is assembled and ready for use, you should start off by filling your burning chamber with bioethanol.

The filling of bioethanol can be done in various ways. The method depends on how safe you feel pouring directly from the bottle/can into the burning chamber. You can profitably use a bioethanol pump that easily transfer the bioethanol from the bottle/can into the burning chamber. By using a bioethanol pump you ensure no waste when filling the burner. Should you, against any odds, waste bioethanol during the filling is it important that you clean those surfaces before igniting the biofireplace. We furthermore recommend to buy our filling-kit that contains a little jug and a funnel. This eases the process of pouring bioethanol directly into the burning chamber. The filling process does normally not cause any problems as it generally is easy and swift. If you have a wall-mounted biofireplace that perhaps is mounted a bit high, you can withdraw the burner, put it on a table and fill it with bioethanol in a comfortable height.

When the fuel has been added into the burner, it will be possible to ignite the biofireplace. This can be done with either a lighter or a matchstick. For safety reasons, we recommend using a long version of either in order to minimize the risk of being burned.

Read more online regarding [filling your burner with bioethanol](#) and [how to ignite your biofireplace](#) here.



Filling your burner with bioethanol



Ignite you biofireplace



Nevada wall-mounted biofireplace

How do I extinguish and regulate the flame?

We always enclose an extinguishing tool along with all our biofireplaces so that you always, easily and swift, can extinguish your biofireplace. All our biofireplaces are extinguished by smothering the fire. This is done with the enclosed extinguishing tool that is used for pulling the burners metal plate above the fire, thereby cutting of the air supply thus smothering the fire. We recommend pulling the plate swiftly as this is the most effective way of extinguishing the fire.

If a waste of bioethanol has happened outside the burner – e.g. on the plate – it can be difficult to extinguish the fire as bioethanol burns the same way as gasoline, which means that the fire follows the gasoline. Therefore should you always make sure to wipe away any wasted bioethanol before you ignite your biofireplace.

The flame can be adjusted in more or less the same way as the process of extinguishing the fire. This is done by pulling the metal plate halfway across the fire if you e.g. want half the flame. If you want a smaller or larger flame, this is done the same way; by either pushing or pulling the metal plate above the flame. This is done with the use of the extinguishing tool, which besides helping extinguishing the flame, also has the purpose of regulating the size of the flame and the consumption of bioethanol. You can read more in regards of the consumption of bioethanol in the following section.

Read more online on how to put out and regulate the flame on a biofireplace.



Put out the fire by pulling the steel plate on top the burner opening



The steel plate now covers the opening and thus smothering the fire



The steel plate covers half of the opening and gives a smaller flame

How long can a biofireplace burn?

The burning time of a biofireplace depends on more than one factor. The size of the burner is decisive in how long a biofireplace can burn but also the size of the flame is determining. The lesser the flame is, the less bioethanol is consumed which leads to a longer burning time. Generally speaking can one litre of bioethanol burn for 2-4 hours with proviso for the above-mentioned factors. The quality of the bioethanol is also an important indicator for the burning time. At bioethanol-fireplace.co.uk we only offer high quality bioethanol which ensures optimal burning time.

We offer burners in the range of 0,3 litre to 22,5 litres why the biofireplaces have a widely different burning time. However, under the product specifications of every biofireplace on our website are you able to find the burning time of the concerned biofireplace.

Read more online regarding bioethanol consumption and how much it costs to have a biofireplace ignited.



Wall mounted biofireplace with 0,3L burner
Burn time 1 hour



Freestanding biofireplace with 1,5L burner
Burn time 2,5-3 hours

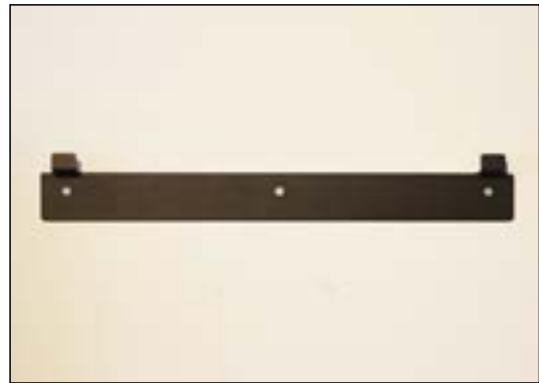


15L automatic bio burner
Burn time 9-10 hours

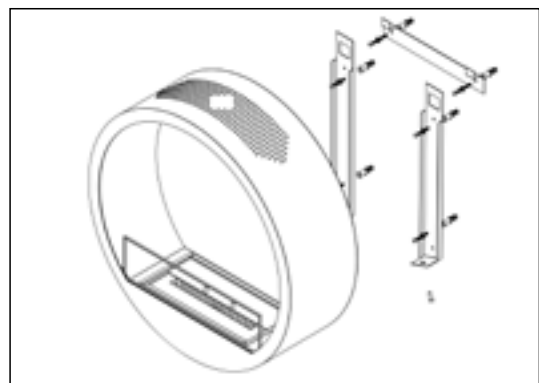
Which type of wall can I mount a biofireplace on?

Our biofireplaces can be mounted on close to every type of wall as the biofireplaces are either produced with a heat-insulated back plate or is hanging with a fitting amount of space to the wall so that the biofireplace is not in contact with the wall. This also means that you easily can mount our biofireplaces on your wall irrespective of whether it consists of concrete, gypsum boards, mortar or a completely different material. If you are unsure whether one of our biofireplaces can be mounted on your wall, please do not hesitate contacting our customer service. This is besides applicable to every question you might have regarding biofireplaces. We will be more than happy to help you.

The mounting of a biofireplace is done in fairly the same way as mounting a television. With our larger wall-mounted biofireplaces is a mount enclosed on which the biofireplace is easily fitted. Alternatively are our smaller wall-mounted biofireplaces mounted with enclosed screws which is screwed directly into the wall. You should be aware that a typical wall-mounted biofireplace weighs between 10-15 kg, why it is relatively easy to mount on the wall. When ordering a biofireplace from bioethanol-fireplace.co.uk, we always enclose illustrations showing how the biofireplace should be mounted along with the necessary screws and mounts.



Bracket for wall-mounted biofireplace



Bracket and mouting



Free space between wall and fireplace

Can you install a biofireplace into a wall?

Many people choose to build a biofireplace into a wall. This can either be done by buying a complete biofireplace, which is assembled and ready to fit into a wall, or as a do-it-yourself project where you only buy a burner and build the "shell" yourself. However, if doing the latter, we recommend professional help as it requires you to be technically gifted. A third option is to buy a wall-mounted biofireplace where the back frame of the wall-mounted biofireplace is built into the wall so that only the front is visible.

When you choose to build your own biofireplace, by buying the burner only, there are certain precautions you should adhere to. The most important of them all is the use of non-flammable material such as concrete, steel, ceramic, stone, metal, cement, slate, tiles, bricks, fermacell or the like. You should therefore never use gypsum boards, MFD-boards or other flammable materials when building your own biofireplace.

Furthermore are there more precautions to be aware of. If you install a burner that is placed beneath e.g. a television or a bookcase, we recommend having a clearance zone of at least 60 cm above the burner and furthermore having a heat-insulated top plate build in non-flammable material. The optimal depth for a fireplace insert, which is installed beneath a television, is 30-40 cm. Furthermore we recommend having minimum 10 cm of free space from the end of the burner to the wall.

[Read more online regarding a biofireplace's installation dimensions and security distance here.](#)



Bioethanol Burner



Remote controlled bioethanol burner



Tunnel build-in biofireplace

What do I need besides the biofireplace?

Our biofireplaces are delivered with everything necessary to install and start your biofireplace – with the exception of bioethanol. In the package with the biofireplace you will find screws, mounts, rawlplugs or what else is needed in order for you to install the biofireplace and if you have bought a biofireplace with a glass shield, the glass will be enclosed in the package for you to mount onto the biofireplace. These are all custom-made to your exact biofireplace why you do not need to visit your DIY-centre. If wanted, it is possible for you to use your own screws and rawlplugs to install the biofireplace.



Ceramic timber for bio fireplace

Accessories, decoration wood and decoration stones are not enclosed with the biofireplaces unless declared when buying the biofireplace. Extra accessories can be bought in order to enhance the cosy experience that a biofireplace provides and make it even more authentic. The accessories consist of both the decoration to your biofireplace as well as e.g. the bioethanol pump designed to safely transfer bioethanol into the burning chamber. It is also possible to buy an outright filling package which contains a jug and a funnel which minimizes the chance of spilling bioethanol when filling/refilling the burner.



Ceramic stones for bio fireplace

When buying accessories, you also have the opportunity to buy a specific odour to the bioethanol. Choose your favourite odour and enhance the relaxed atmosphere.

Is it safe to use a biofireplace?

It is definitely safe to use a biofireplace if you use your common sense and remembers you are dealing with fire. In principle, there are no security precautions or legislations concerning biofireplaces. However, our biofireplaces are all certified with the TÜV certificate concerning fireplaces that fuels on flammable liquids.

We recommend that you use a biofireplace with the same precautions as you would with a normal fireplace. Always make sure that your burner is produced in non-flammable materials. Many incorrectly choose MDF-boards as their material. However, this material is not recommended as it can be flammable. If you use your biofireplaces for rental purposes, always make sure to enclose safety instructions so that possible users are well informed in order to avoid any accidents with the biofireplaces.

[Read more online regarding biofireplaces and safety here.](#)