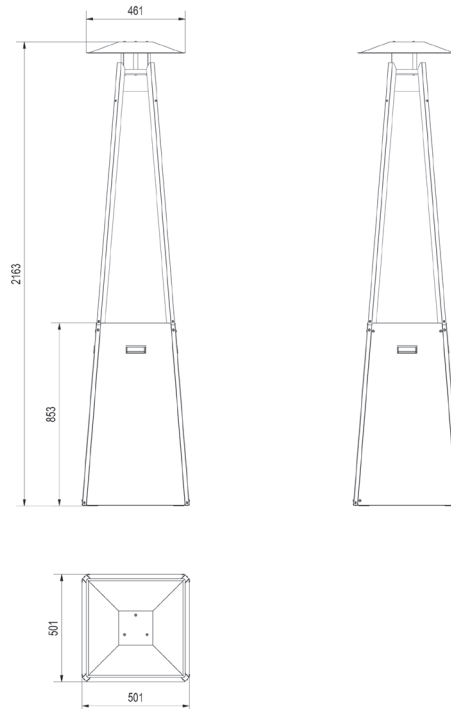




# Pyramide Gas Heater

GAS-90-405



## TECHNICAL SPECIFICATIONS

Type	Outdoor gas fire
Size	Height: 216,30 cm / Width: 50,10 cm / Depth: 50,10 cm
Materials	Steel and glass
Weight	48 kg
Burner	Gas burner
Capacity	11 kg. gasbottle
Usage	Approx 0.64 kg. gas/hour - Max 17 hours per filling
Fuel	LPG
Colour	Black/white
Heat Output	12 kW
Electricity	No