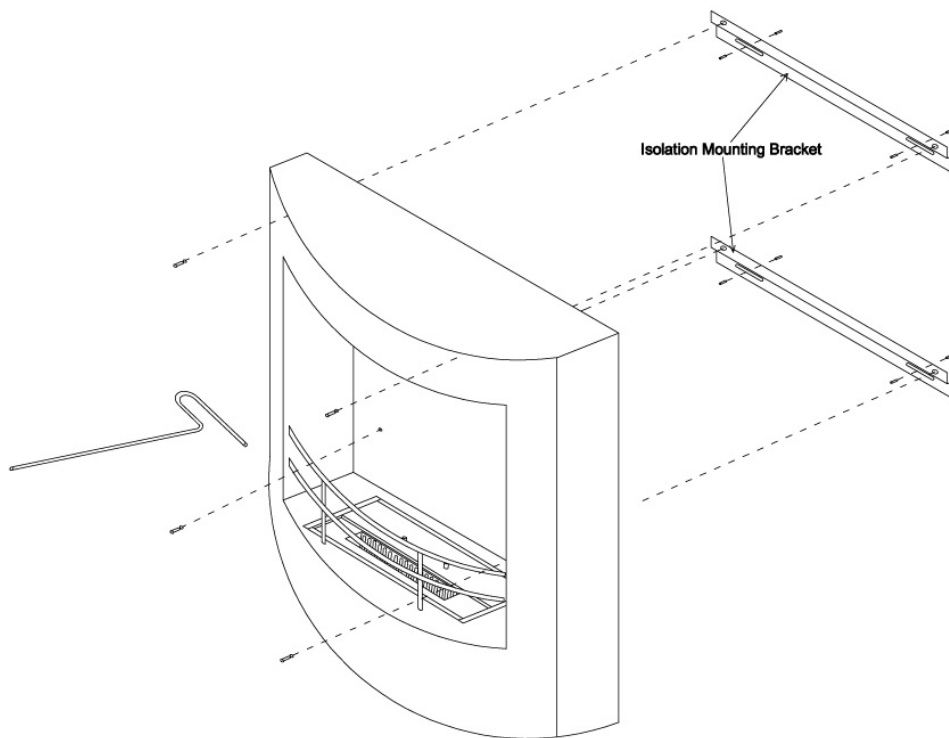




# BIO-10-007-WH



## TECHNICAL SPECIFICATIONS

Type	Wall-mounted bioethanol fireplace
Size	<b>Height:</b> 600 mm / <b>Width:</b> 550 mm / <b>Depth:</b> 170 mm
Materials	Stainless steel and robax glass
Weight	12 kg.
Burner	Adjustable Manuel Burner (Burner width: 285 mm / Flame width: 180 mm)
Capacity	1 Liter
Usage	Approx 0.18 L/h - Up to 5h15m per filling
Fuel	Bioethanol (Recommended 96,6% alcohol)
Colour	White and black
Heat Output	2,17 kW
Electricity	No