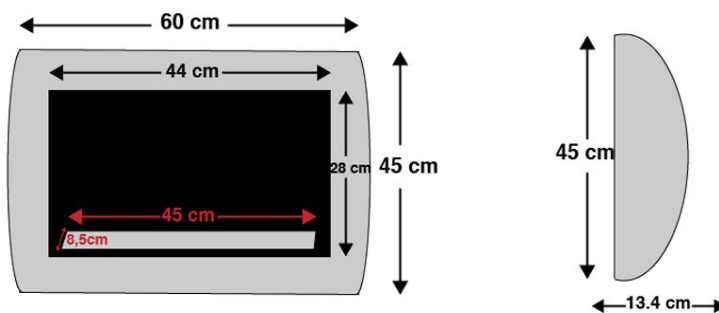
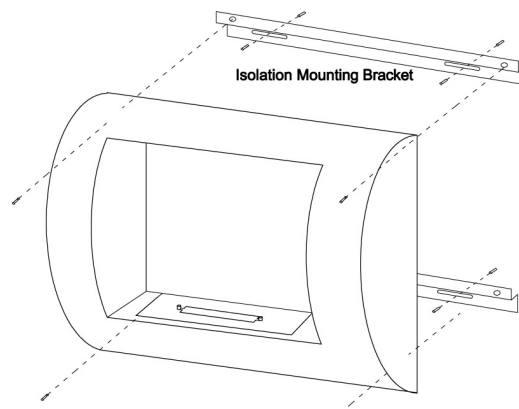


BIO-10-010



TECHNICAL SPECIFICATIONS

Type	Wall-mounted bioethanol fireplace
Size	Height: 450 mm / Width: 600 mm / Depth: 134 mm
Materials	Steel
Weight	9 kg.
Burner	Adjustable Manuel bioethanol burner (Burner width: 450 mm / Flame width: 220 mm)
Capacity	0,7 Liter
Usage	Approx 0.23 L/h - Up to 3 hours per filling
Fuel	Bioethanol (Recommended 96,6% alcohol)
Colour	Steel
Heat Output	1,14 kW
Electricity	No