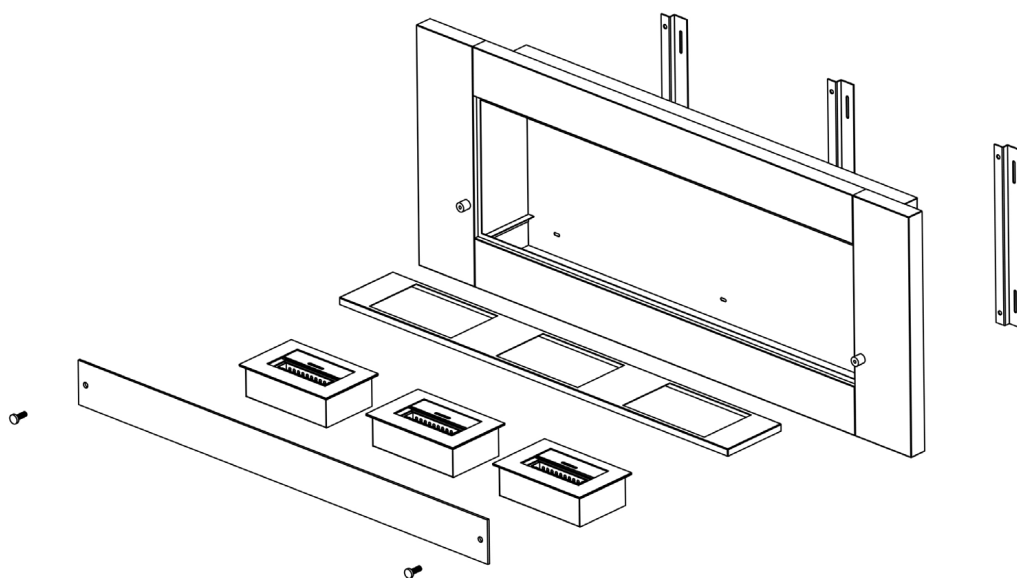




BIO-10-014



TECHNICAL SPECIFICATIONS

Type	Wall-mounted bioethanol fireplace
Size	Height: 540 mm / Width: 1360 mm / Depth: 230 mm
Materials	Steel and glass
Weight	35,5 kg.
Burner	Adjustable Manuel bioethanol burner (Burner width: 285 mm / Flame width: 180 mm)
Capacity	3 x 1,0 Liter
Usage	Approx 0.18 L/h - Up to 5h15m per filling
Fuel	Bioethanol (Recommended 96,6% alcohol)
Colour	Black and steel
Heat Output	4,8 kW
Electricity	No