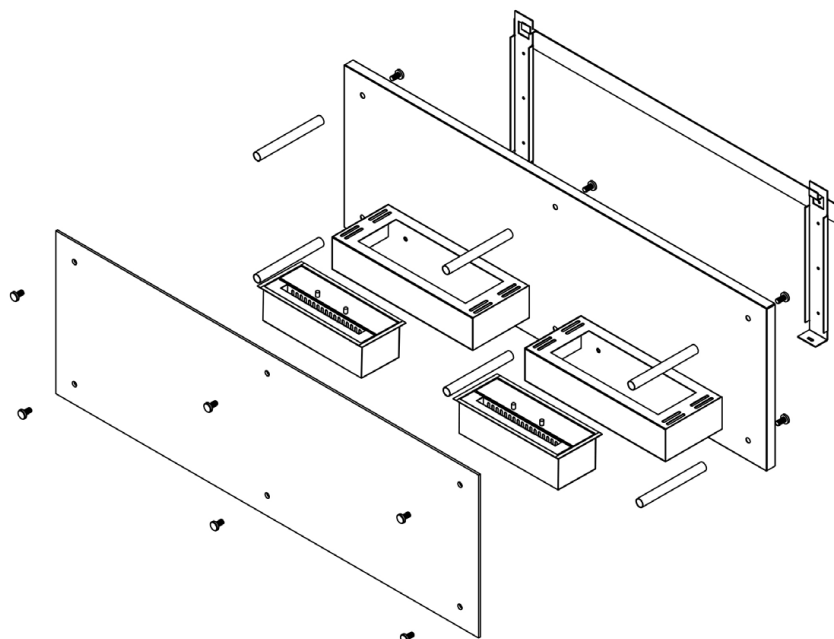




## BIO-10-020



### TECHNICAL SPECIFICATIONS

Type	Wall-mounted bioethanol fireplace
Size	<b>Height:</b> 400 mm / <b>Width:</b> 1200 mm / <b>Depth:</b> 210 mm
Materials	Stainless steel and glass
Weight	25 kg.
Burner	Adjustable Manuel Burner (Burner width: 320 mm / Flame width: 240 mm)
Capacity	2 x 1,5 Liter
Usage	Approx 0.24 L/h - Up to 6 hours per filling
Fuel	Bioethanol (Recommended 96,6% alcohol)
Colour	White and black
Heat Output	4,3 kW
Electricity	No