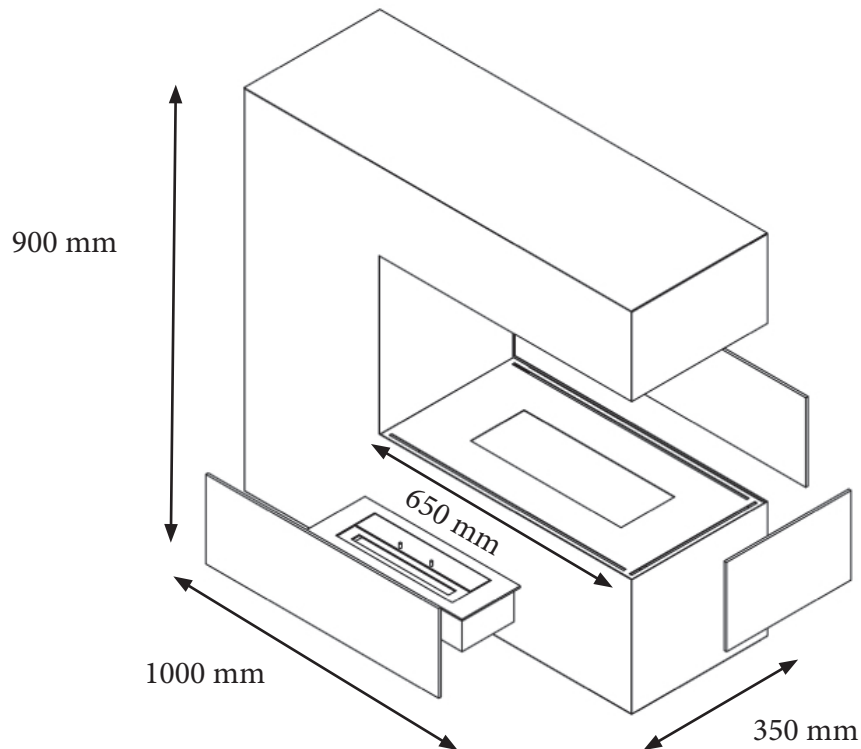




## BIO-20-216



### TECHNICAL SPECIFICATIONS

Type	Ceiling-mounted Bioethanol Fireplace
Size	<b>Height:</b> 900 mm / <b>Width:</b> 1000 mm / <b>Depth:</b> 350 mm
Materials	Steel and glass
Weight	Approx. 37,5 kg.
Burner	Adjustable manuel bioethanol burner (Burner width: 320 mm / Flame width: 240 mm)
Capacity	2,5 Liter
Usage	Approx 0,25 L/h - Up to 10 hours per filling
Fuel	Bioethanol (Recommended 96,6% alcohol)
Colour	White
Heat Output	2,17 kW
Electricity	No