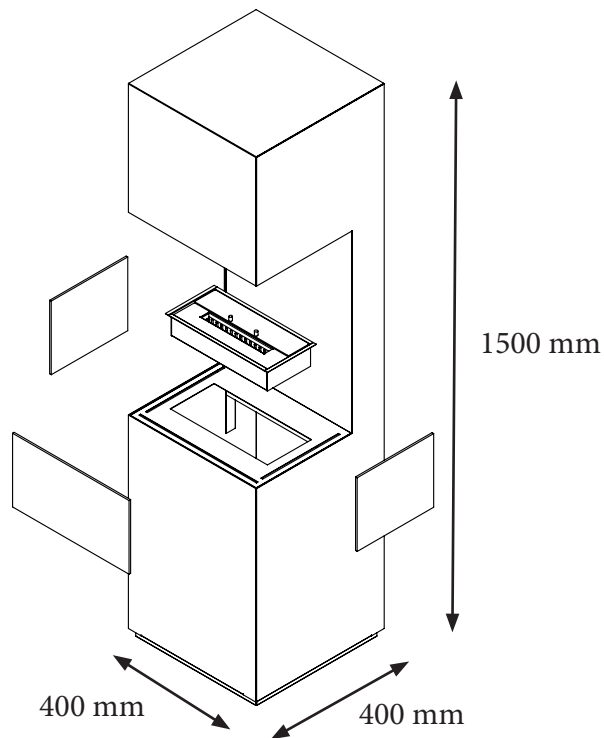




## BIO-20-230



### TECHNICAL SPECIFICATIONS

Type	Freestanding Bioethanol Fireplace
Size	<b>Height:</b> 1500 mm / <b>Width:</b> 400 mm / <b>Depth:</b> 400 mm
Materials	Steel and glass
Weight	Approx. 32,5 kg.
Burner	Adjustable manuel bioethanol burner (Burner width: 320 mm / Flame width: 240 mm)
Capacity	1,5 Liter
Usage	Approx 0,24 L/h - Up to 6 hours per filling
Fuel	Bioethanol (Recommended 96,6% alcohol)
Colour	White and black
Heat Output	2,17 kW
Electricity	No