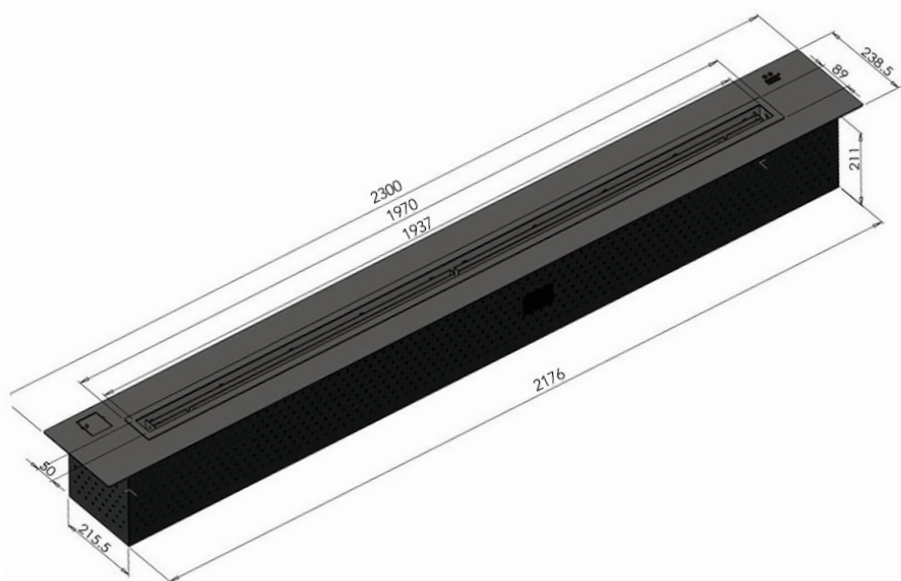


BIO367 // 230 cm Automatic Bioethanol Burner

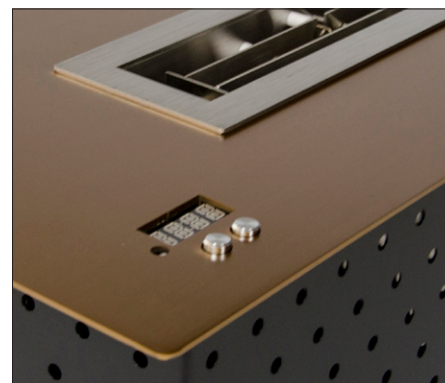
Technical Specifications

Fireplace Type	Automatic Bioethanol Burner
Fuel	Bioethanol max. 97.5% alcohol
Weight	78 kg.
Materials	Stainless Steel
Size	Height: 211 / Width: 2300 / Depth: 238,5 mm
Colour	Steel, Brushed Black, Mirror Black or Brushed Gold
Burner type	Automatic
Capacity	23 liters
Adjustable flame	No
Burn time	10 hours
Requires electricity	Yes
Heat effect	14.8 kW/h
Other	Remote controller included

Technical Drawings



Pictures



www.biofireplacegroup.com

Date of publication: 09/11-2018