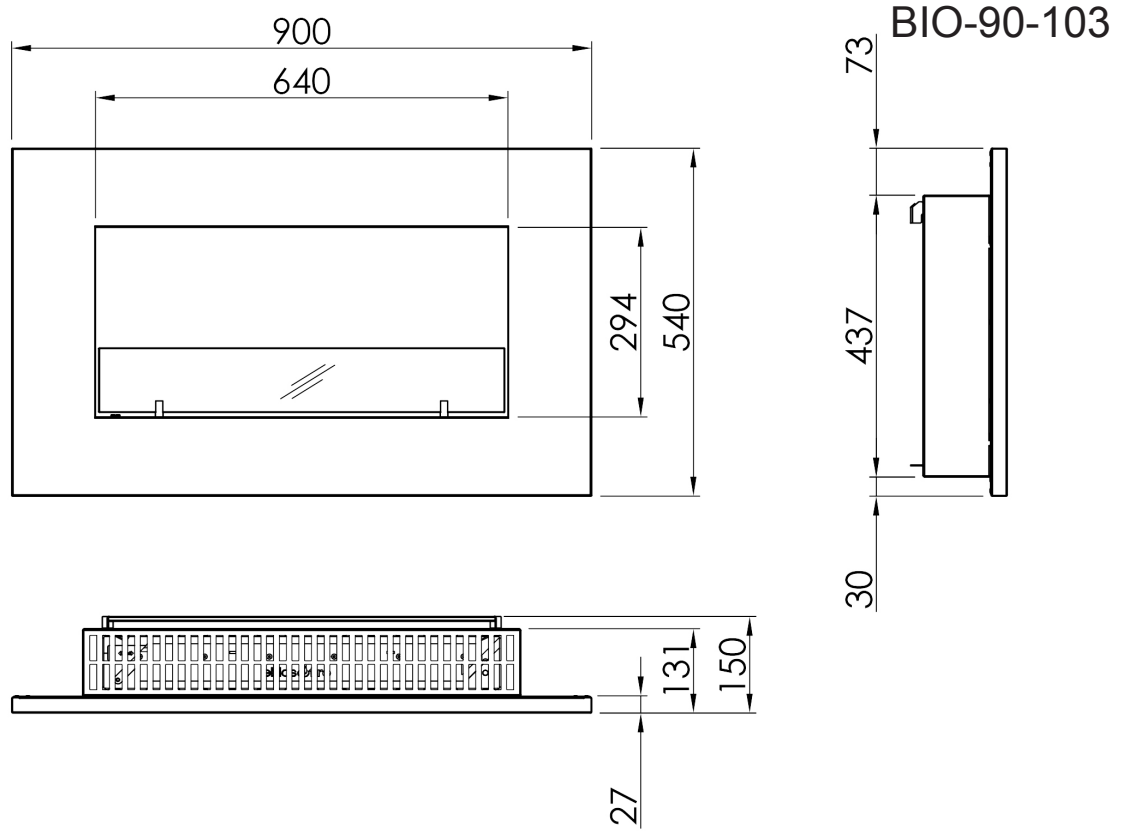




# Oxford 600 wall-mounted bio fireplace



## TECHNICAL SPECIFICATIONS

Type	Wall-mounted bioethanol fireplace
Size	<b>Height:</b> 540 mm / <b>Width:</b> 900 mm / <b>Depth:</b> 151 mm
Materials	Steel and robax glass
Weight	21 kg.
Burner	Manuel Burner (Burner width: 600 mm / Flame width: 550 mm)
Capacity	2,47 Liter
Usage	Approx 0.49 L/h - Up to 5 hours per filling
Fuel	Bioethanol (Recommended 96,6% alcohol)
Colour	Several colors
Heat Output	4 kW
Electricity	No